

Image photos:  
Actual design might deviate from the picture.

**Speciality;**

- ✚ Magnetron Microwave  
ECR Multi Gas-plasma
- ✚ Extremely High Brightness  
More than  
 $10^{16}$  photon/sr,s(Xe)
- ✚ Narrow peak width  
Less than  
0.5meV FWHM (Xe)
- ✚ No Wave Guides  
Coaxial cable connection
- ✚ Effective cooling
- ✚ Small size & Light weight
- ✚ Best for high resolution  
bulk sensitive ARPES

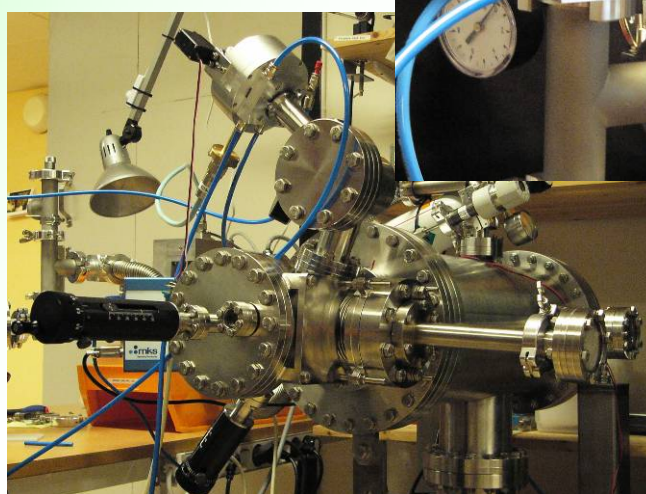
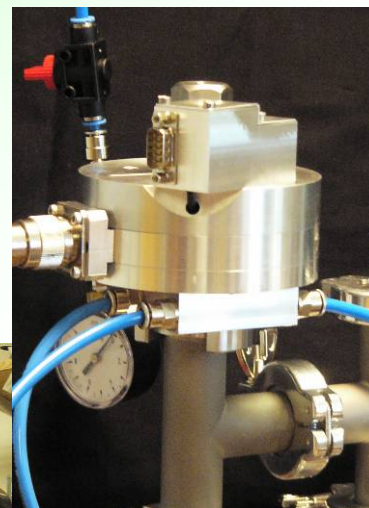
T-1 was developed in collaboration with Professor Dr. Takashi Takahashi and his group at Tohoku University. It is also named after Prof. Takahashi.



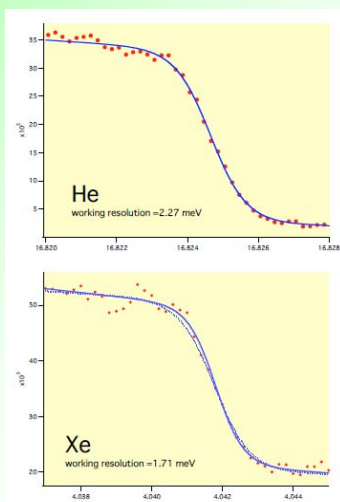
# Super High Energy Resolution & Extremely High Intensity VUV Multi Photon Source; MBS T-1



Illumination from Xe gas



Test set up of the Xe VUV system with TM-1 mono (Optional)



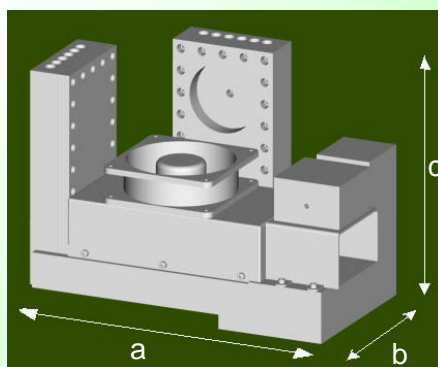
Test spectrum excited by Xe and He radiation

## Microwave generator

Size; a: ~350mm, b: ~250mm,  
c: ~225mm  
Weight: ~7.0kg

## Control unit & Power supply

19inch rack size  
Total 2units  
Total height for 2 units:  
220mm  
Maximum depth:  
485mm  
Total weight:  
About 10kg



## MB SCIENTIFIC AB

### Address

Seminariegatan 29B  
752 28 Uppsala

### Registered office

Uppsala  
Sweden

### Org. No.

556605-8425  
Vi har F-skatt

### Tel. & Fax

+46 (0)18-29 09 60  
+46 (0)18-57 26 83

### Moms / VAT

SE556605842501

### Bankgiro

5128-6375

<http://www.mbscientific.se/>  
[info@mbscientific.se](mailto:info@mbscientific.se)

Copyright 2007 MB Scientific AB